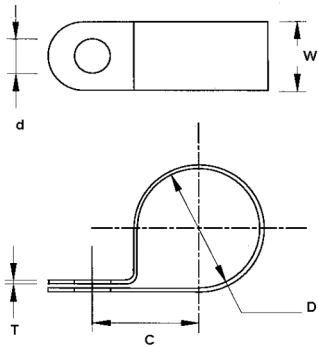




**PRODUCT SHEET No. 21
STAINLESS STEEL "P" CLIP
DAS SERIES**

**BAND WIDTH - 11.1
ALTERNATIVE FIXING HOLES TO ORDER**



Part Ref.	Clamp Dia "D" mm	Centres "C" mm	Gauge "T" mm	Width "W" mm	Fixing Dia "d" mm
DAS04025	4.0	8.7	0.7	11.1	6.4
DAS04815	4.8	9.1	0.7	11.1	5.1
DAS05541	5.5	9.5	0.7	11.1	6.4
DAS06041	6.0	9.7	0.7	11.1	4.6
DAS06415	6.4	9.9	0.7	11.1	5.1
DAS07015	7.0	10.2	0.7	11.1	5.1
DAS08015	8.0	10.7	0.7	11.1	5.1
DAS09515	9.5	11.5	0.7	11.1	5.1
DAS10015	10.0	11.7	0.7	11.1	5.1
DAS11015	11.0	12.4	0.9	11.1	5.1
DAS12715	12.7	13.2	0.9	11.1	5.1
DAS13515	13.5	13.7	0.9	11.1	5.1
DAS15915	15.9	14.9	0.9	11.1	5.1
DAS18015	18.0	16.0	0.9	11.1	5.1
DAS19015	19.0	16.4	0.9	11.1	5.1
DAS20515	20.5	17.2	0.9	11.1	5.1
DAS22215	22.2	18.0	0.9	11.1	5.1
DAS25015	25.0	19.4	0.9	11.1	5.1
DAS25415	25.4	19.6	0.9	11.1	5.1
DAS32015	32.0	23.0	0.9	11.1	5.1

Drg. PH21 Rev. 01

CLIP
Stainless Steel
BS1449 Pt.2 316 BA
0.7 / 0.9 x 11.1

Finish Self Colour

**MOST ITEMS AVAILABLE EX-STOCK
PHONE, FAX OR E-MAIL YOUR ENQUIRY
DISCOUNTS AVAILABLE ON VOLUME ORDERS**



BIRMINGHAM SPECIALITIES LTD

Lincoln Works, Moor Lane, Witton, Birmingham. B6 7HE. England
Tel: +44 (0) 121 356 5026 Fax: +44 (0) 121 356 9198
Website: www.bhamspec.co.uk e-mail: sales@bhamspec.co.uk